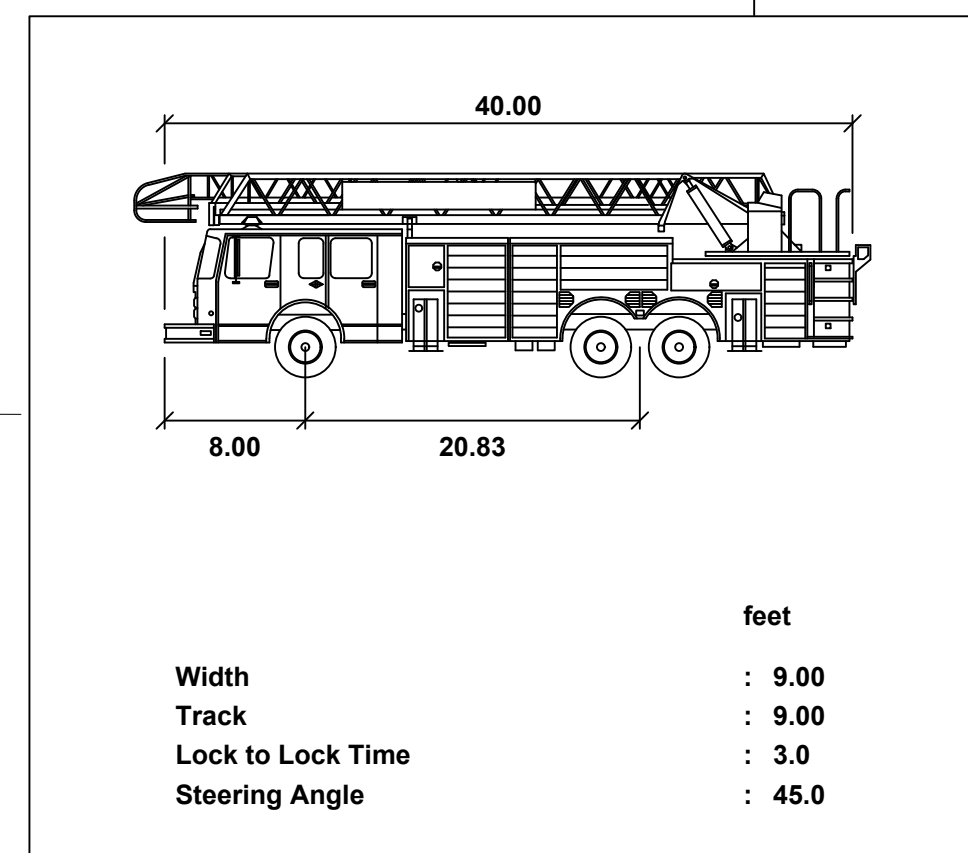
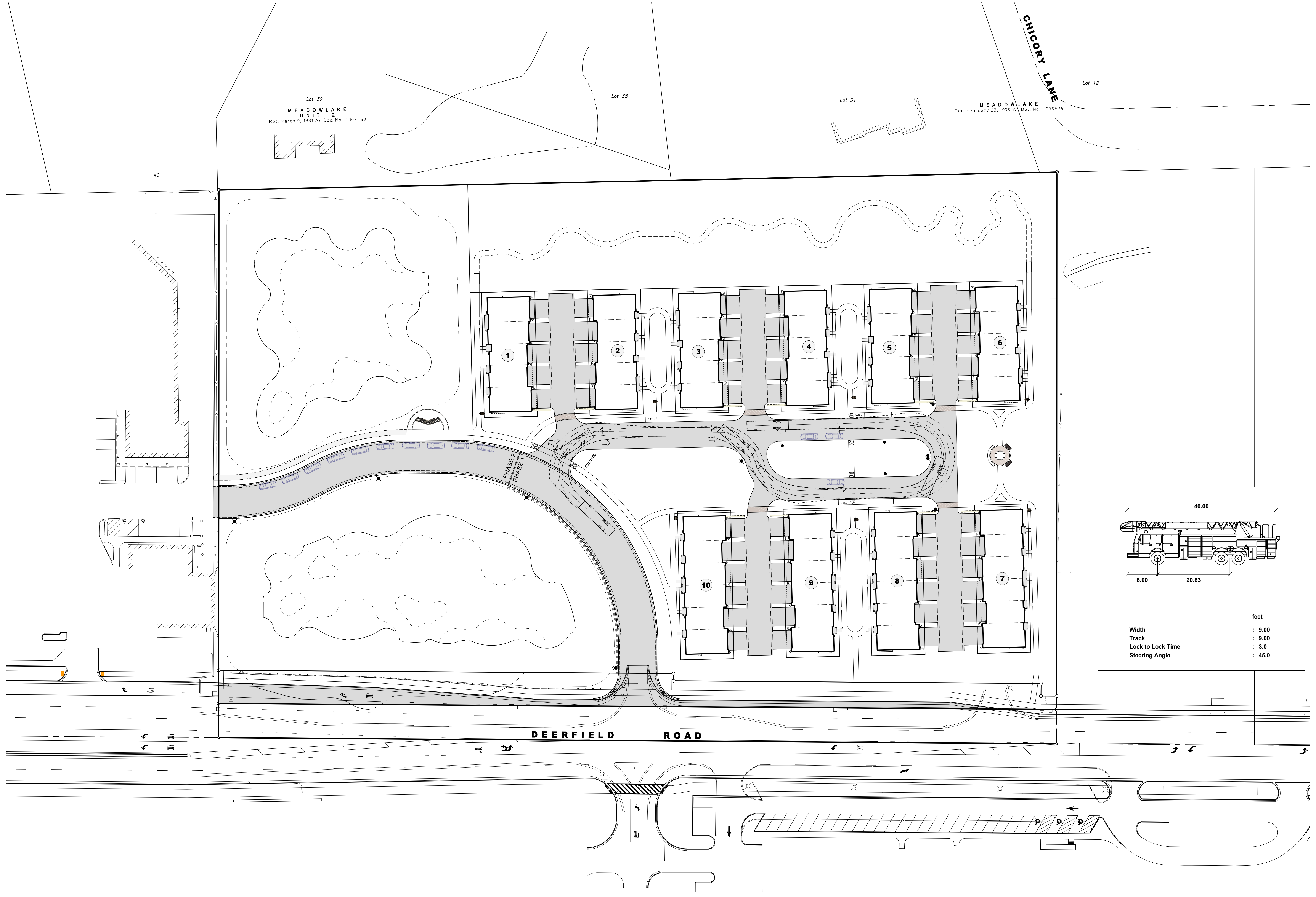
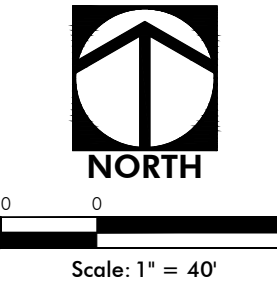


**HAEGER ENGINEERING**  
 consulting engineers • land surveyors  
 100 East State Parkway, Schaumburg, IL 60173 • Tel: 847.394.6600 Fax: 847.394.6608  
 Illinois Professional Design Firm License No. 184-003152  
 www.haegerengineering.com

**26' MOVING TRUCK TURNING EXHIBIT**  
**RIVERWOODS RESERVE**  
 VILLAGE OF RIVERWOODS, LAKE COUNTY, ILLINOIS

Project Manager: T A S  
 Engineer: P A C  
 Date: 04-06-2023  
 Project No. 20147  
 Sheet 1



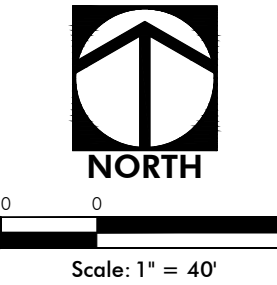
**HAEGER ENGINEERING**  
 consulting engineers • land surveyors  
 100 East State Parkway, Schaumburg, IL 60173 • Tel: 847.394.6600 Fax: 847.394.6608  
 Illinois Professional Design Firm License No. 184-003152  
 www.haegerengineering.com

**FIRE TRUCK  
 TURNING EXHIBIT**  
**RIVERWOODS RESERVE**  
 VILLAGE OF RIVERWOODS, LAKE COUNTY, ILLINOIS

Project Manager: T A S  
 Engineer: P A C  
 Date: 04-06-2023  
 Project No. 20147  
 Sheet 1

Lot 39  
 MEADOWLAKE  
 UNIT 2  
 Rec. March 9, 1981 As Doc. No. 2103460

MEADOWLAKE  
 Rec. February 23, 1979 As Doc. No. 1979676



Lot 39  
MEADOWLAKE  
UNIT 2  
Rec. March 9, 1981 As Doc. No. 2103460

Lot 38

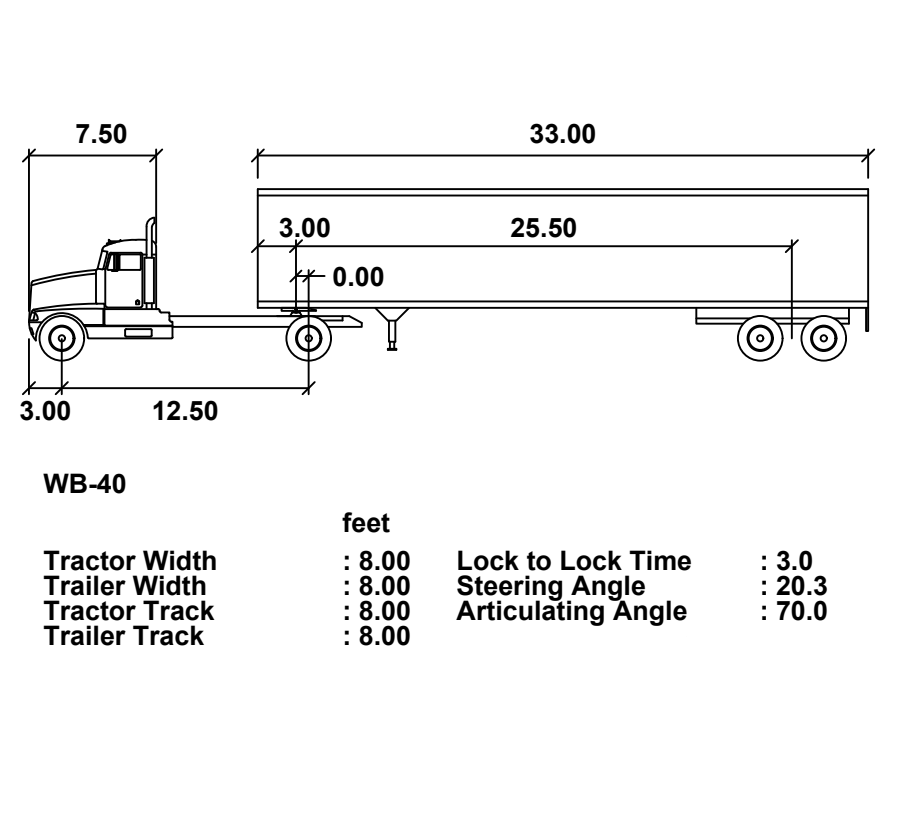
Lot 31

MEADOWLAKE  
Rec. February 23, 1979 As Doc. No. 1979676

Lot 12

CHICORY LANE

DEERFIELD ROAD



**HAEGER ENGINEERING**  
consulting engineers • land surveyors  
100 East State Parkway, Schaumburg, IL 60173 • Tel: 847.394.6600 Fax: 847.394.6608  
Illinois Professional Design Firm License No. 184-003152  
www.haegerengineering.com

**WB-40**  
**TURNING EXHIBIT**  
**RIVERWOODS RESERVE**  
VILLAGE OF RIVERWOODS, LAKE COUNTY, ILLINOIS

Project Manager: T A S  
Engineer: P A C  
Date: 04-06-2023  
Project No. 20147  
Sheet 1