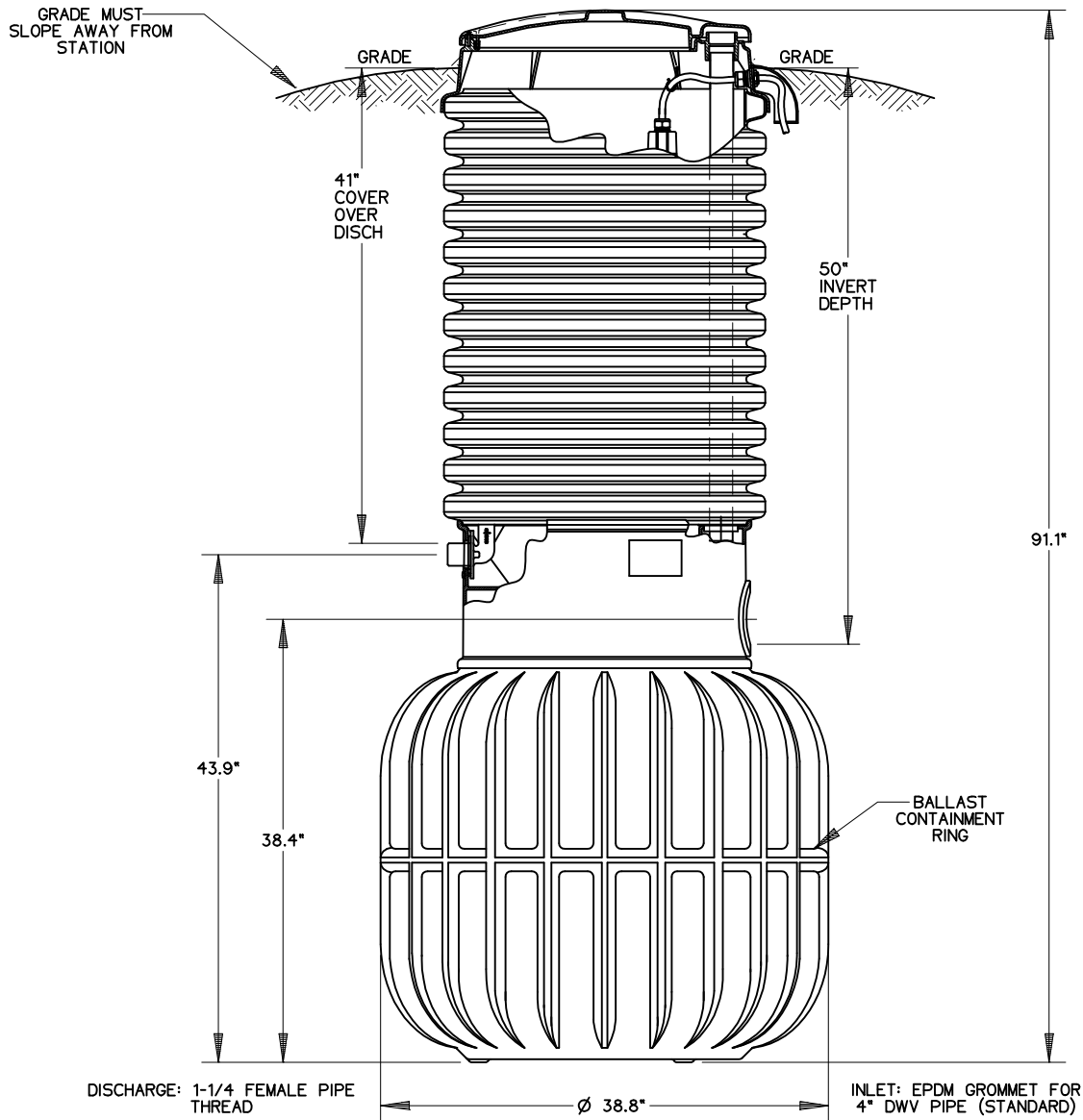


OPTIONS : **DH151-93** (HARD WIRED LEVEL CONTROLS)

DR151-93 (WIRELESS LEVEL CONTROLS)



CONCRETE BALLAST MAY BE REQUIRED
SEE INSTALLATION INSTRUCTIONS
FOR DETAILS

NOTE: DIMENSIONS ARE FOR REFERENCE ONLY



AD	CAH	7/13/07	C	1/16
DR BY	CHK'D	DATE	ISSUE	SCALE



MODEL DH151-93 / DR151-93

NA0051P06