

**SPECIAL CONSIDERATIONS FOR PROPERTIES SERVED BY
VILLAGE-OWNED GRINDER PUMPS/LOW PRESSURE SANITARY SEWERS**

The following shall be shown on the plans as applicable:

- The existing pump station and control panel are to be protected during construction. Any required repair or replacement, or modification of any component of the grinder pump or low-pressure system shall be performed by Village personnel at the owner's expense. All new and/or replacement parts and equipment shall be as manufactured and supplied by Environment One Corporation.
- Sewer service valves may be operated by Village personnel only.
- A **dedicated**, single-phase, 30-ampere, 240-volt power supply with an external quick-disconnect shall be required to the control panel. Indicate proposed control panel location on the plan. Control panel and pump station must be intervisible and not more than 80 feet apart.
- Tracer wire from new 1-1/4" HDPE service line shall be brought to surface adjacent to grinder pump location.
- The existing grinder pump core shall remain in service throughout construction. Upon completion of construction and application for bond refund, a new grinder pump core shall be required. Said core shall be supplied and installed by Village personnel at the owner's expense. The existing core shall remain Village property.
- Gravity sanitary sewer service to grinder pump shall be 4" PVC SDR 26 conforming to ASTM D2241, 4.5" O.D. Call out minimum slope. Note that the inlet and discharge are on opposite sides of the unit. Call for a cleanout and any change in direction of the gravity service.

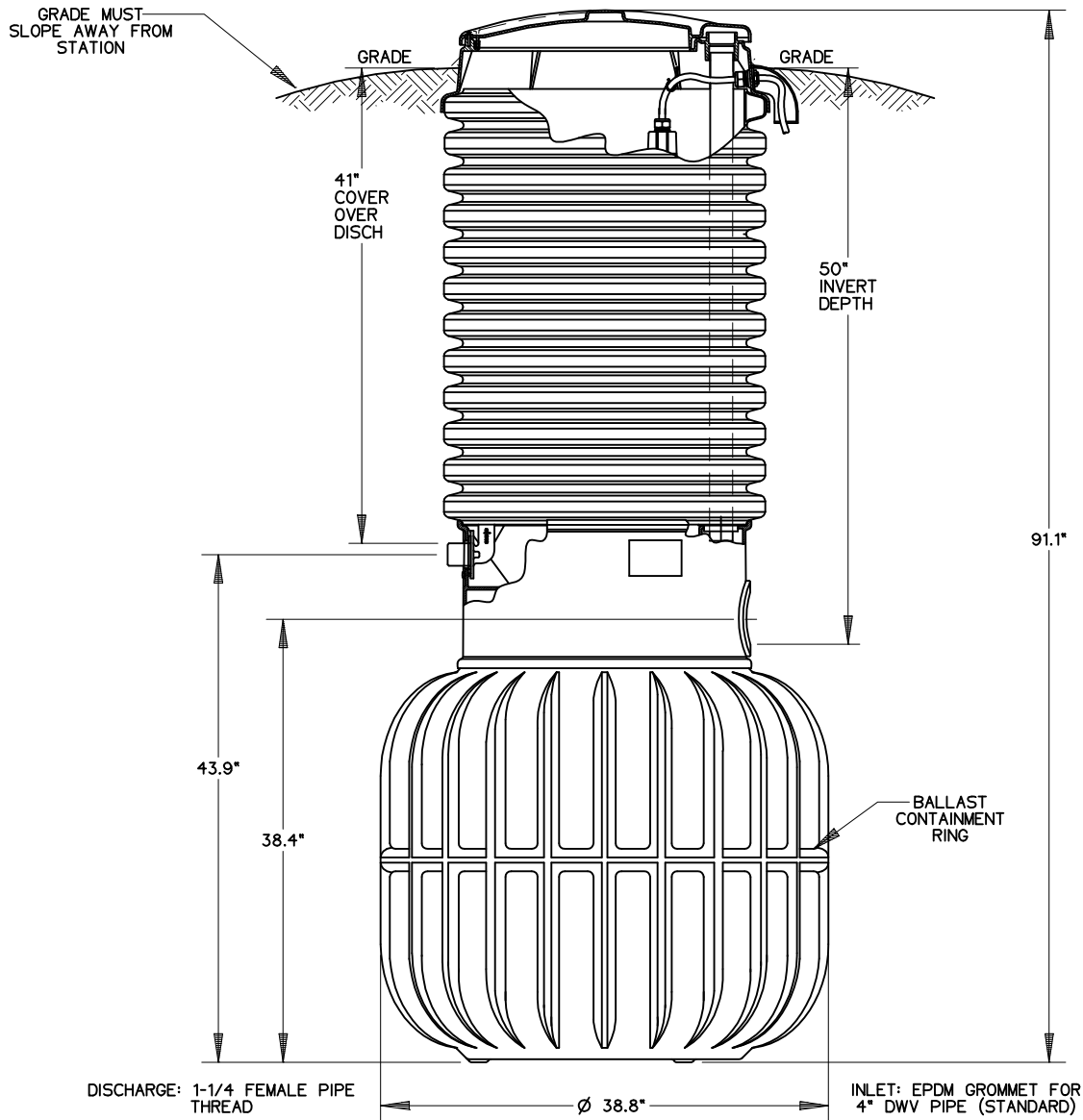
Address	Street	Address	Street
1. 2825	ARROWWOOD	51. 1900	GREENBRIER
2. 2875	ARROWWOOD	52. 2000	GREENBRIER
3. 2925	ARROWWOOD	53. 2500	GREENBRIER
4. 2955	ARROWWOOD	54. 3060	GREENBRIER
5. 2975	ARROWWOOD	55. 3300	GREENBRIER
6. 2985	ARROWWOOD	56. 3333	GREENBRIER
7. 1001	BLACKTHORN	57. 3400	GREENBRIER
8. 2001	BLACKTHORN	58. 400	GREENBRIER
9. 2830	BLACKTHORN	59. 406	GREENBRIER
10. 2880	BLACKTHORN	60. 408	GREENBRIER
11. 2887	BLACKTHORN	61. 441	GREENBRIER
12. 2890	BLACKTHORN	62. 450	GREENBRIER
13. 3030	BLACKTHORN	63. 2590	HAZELNUT
14. 3033	BLACKTHORN	64. 2605	HAZELNUT
15. 3035	BLACKTHORN	65. 2635	HAZELNUT
16. 3060	BLACKTHORN	66. 2640	HAZELNUT
17. 3065	BLACKTHORN	67. 333	JUNEBERRY
18. 3070	BLACKTHORN	68. 480	JUNEBERRY
19. 3075	BLACKTHORN	69. 505	JUNEBERRY
20. 3085	BLACKTHORN	70. 545	JUNEBERRY
21. 3095	BLACKTHORN	71. 560	JUNEBERRY
22. 3200	BLACKTHORN	72. 565	JUNEBERRY
23. 3210	BLACKTHORN	73. 645	JUNEBERRY
24. 3223	BLACKTHORN	74. 720	JUNEBERRY
25. 2590	CHIANTI	75. 725	JUNEBERRY
26. 2640	CHIANTI	76. 745	JUNEBERRY
27. 2701	DAIQUIRI	77. 770	JUNEBERRY
28. 2715	DAIQUIRI	78. 2600	LYNDALE
29. 2745	DAIQUIRI	79. 2640	LYNDALE
30. 2785	DAIQUIRI	80. 2642	LYNDALE
31. 3059	DEERFIELD	81. 2	MEREDITH
32. 3069	DEERFIELD	82. 3	MEREDITH
33. 3079	DEERFIELD	83. 4	MEREDITH
34. 3620	DEERFIELD	84. 2800	ORANGE BRACE
35. 405	DUBONNET	85. 2801	ORANGE BRACE
36. 2990	DUFFY	86. 2841	ORANGE BRACE
37. 3190	DUFFY	87. 2860	ORANGE BRACE
38. 3194	DUFFY	88. 2880	ORANGE BRACE
39. 3195	DUFFY	89. 2920	ORANGE BRACE
40. 3200	DUFFY	90. 2929	ORANGE BRACE
41. 14710	ESTONIAN	91. 2941	ORANGE BRACE
42. 2627	GEMINI	92. 2950	ORANGE BRACE
43. 2640	GEMINI	93. 2975	ORANGE BRACE
44. 2680	GEMINI	94. 3000	ORANGE BRACE
45. 2700	GEMINI	95. 3011	ORANGE BRACE
46. 2705	GEMINI	96. 3030	ORANGE BRACE
47. 2707	GEMINI	97. 3033	ORANGE BRACE
48. 2709	GEMINI	98. 3055	ORANGE BRACE
49. 2727	GEMINI	99. 3060	ORANGE BRACE
50. 2785	GEMINI	100. 3077	ORANGE BRACE

Address	Street	Address	Street
1. 2825	ARROWWOOD	51. 1900	GREENBRIER
2. 2875	ARROWWOOD	52. 2000	GREENBRIER
3. 2925	ARROWWOOD	53. 2500	GREENBRIER
4. 2955	ARROWWOOD	54. 3060	GREENBRIER
5. 2975	ARROWWOOD	55. 3300	GREENBRIER
6. 2985	ARROWWOOD	56. 3333	GREENBRIER
7. 1001	BLACKTHORN	57. 3400	GREENBRIER
8. 2001	BLACKTHORN	58. 400	GREENBRIER
9. 2830	BLACKTHORN	59. 406	GREENBRIER
10. 2880	BLACKTHORN	60. 408	GREENBRIER
11. 2887	BLACKTHORN	61. 441	GREENBRIER
12. 2890	BLACKTHORN	62. 450	GREENBRIER
13. 3030	BLACKTHORN	63. 2590	HAZELNUT
14. 3033	BLACKTHORN	64. 2605	HAZELNUT
15. 3035	BLACKTHORN	65. 2635	HAZELNUT
16. 3060	BLACKTHORN	66. 2640	HAZELNUT
17. 3065	BLACKTHORN	67. 333	JUNEBERRY
18. 3070	BLACKTHORN	68. 480	JUNEBERRY
19. 3075	BLACKTHORN	69. 505	JUNEBERRY
20. 3085	BLACKTHORN	70. 545	JUNEBERRY
21. 3095	BLACKTHORN	71. 560	JUNEBERRY
22. 3200	BLACKTHORN	72. 565	JUNEBERRY
23. 3210	BLACKTHORN	73. 645	JUNEBERRY
24. 3223	BLACKTHORN	74. 645	JUNEBERRY
25. 2590	CHIANTI	75. 720	JUNEBERRY
26. 2640	CHIANTI	76. 725	JUNEBERRY
27. 2701	DAIQUIRI	77. 745	JUNEBERRY
28. 2715	DAIQUIRI	78. 770	JUNEBERRY
29. 2745	DAIQUIRI	79. 2600	LYNDALE
30. 2785	DAIQUIRI	80. 2640	LYNDALE
31. 3059	DEERFIELD	81. 2642	LYNDALE
32. 3069	DEERFIELD	82. 2	MEREDITH
33. 3079	DEERFIELD	83. 3	MEREDITH
34. 3620	DEERFIELD	84. 4	MEREDITH
35. 405	DUBONNET	85. 2800	ORANGE BRACE
36. 2990	DUFFY	86. 2801	ORANGE BRACE
37. 3190	DUFFY	87. 2841	ORANGE BRACE
38. 3194	DUFFY	88. 2860	ORANGE BRACE
39. 3195	DUFFY	89. 2880	ORANGE BRACE
40. 3200	DUFFY	90. 2920	ORANGE BRACE
41. 14710	ESTONIAN	91. 2929	ORANGE BRACE
42. 2627	GEMINI	92. 2941	ORANGE BRACE
43. 2640	GEMINI	93. 2950	ORANGE BRACE
44. 2680	GEMINI	94. 2975	ORANGE BRACE
45. 2700	GEMINI	95. 3000	ORANGE BRACE
46. 2705	GEMINI	96. 3011	ORANGE BRACE
47. 2707	GEMINI	97. 3030	ORANGE BRACE
48. 2709	GEMINI	98. 3033	ORANGE BRACE
49. 2727	GEMINI	99. 3055	ORANGE BRACE
50. 2785	GEMINI	100. 3060	ORANGE BRACE

	Address	Street		Address	Street
101.	3100	ORANGE BRACE	152.	3077	ORANGE BRACE
102.	3115	ORANGE BRACE	152.	410	THORNMEADOW
103.	3179	ORANGE BRACE	153.	433	THORNMEADOW
104.	3400	ORANGE BRACE	154.	460	THORNMEADOW
105.	285	PORTWINE	155.	475	THORNMEADOW
106.	340	PORTWINE	156.	505	THORNMEADOW
107.	360	PORTWINE	157.	520	THORNMEADOW
108.	420	PORTWINE	158.	555	THORNMEADOW
109.	459	PORTWINE	159.	555	TIMBER
110.	460	PORTWINE	160.	600	TIMBER
111.	570	PORTWINE	161.	650	TIMBER
112.	600	PORTWINE	162.	3284	TIMBERWOOD
113.	680	PORTWINE	163.	65	TREASURE
114.	715	PORTWINE	164.	69	TREASURE
115.	750	PORTWINE	165.	72	TREASURE
116.	712	RINGLAND	166.	470	WHITE OAK
117.	714	RINGLAND	167.	471	WHITE OAK
118.	716	RINGLAND	168.	474	WHITE OAK
119.	718	RINGLAND	169.	475	WHITE OAK
120.	720	RINGLAND			
121.	722	RINGLAND			
122.	1945	RIVERWOODS			
123.	22449	RIVERWOODS			
124.	22547	RIVERWOODS			
125.	2040	ROBINWOOD			
126.	2045	ROBINWOOD			
127.	2085	ROBINWOOD			
128.	2100	ROBINWOOD			
129.	2110	ROBINWOOD			
130.	2114	ROBINWOOD			
131.	2116	ROBINWOOD			
132.	2121	ROBINWOOD			
133.	2130	ROBINWOOD			
134.	2112	ROBINWOOD			
135.	1556	SAUNDERS			
136.	3080	SCOTCH			
137.	3100	SCOTCH			
138.	3135	SCOTCH			
139.	485	SHERRY			
140.	495	SHERRY			
141.	535	SHERRY			
142.	565	SHERRY			
143.	590	SHERRY			
144.	605	SHERRY			
145.	615	SHERRY			
146.	620	SHERRY			
147.	635	SHERRY			
148.	640	SHERRY			
149.	300	THORNMEADOW			
150.	330	THORNMEADOW			
151.	385	THORNMEADOW			

OPTIONS : **DH151-93** (HARD WIRED LEVEL CONTROLS)

DR151-93 (WIRELESS LEVEL CONTROLS)



CONCRETE BALLAST MAY BE REQUIRED
SEE INSTALLATION INSTRUCTIONS
FOR DETAILS

NOTE: DIMENSIONS ARE FOR REFERENCE ONLY



AD	CAH	7/13/07	C	1/16
DR BY	CHK'D	DATE	ISSUE	SCALE



MODEL DH151-93 / DR151-93

NA0051P06